

APPLICATION:

PRODUCT NAME:
 SINGLE DECK FAUCET

JOB NAME:

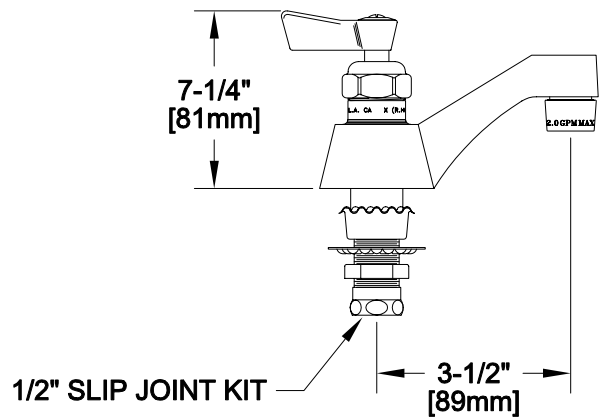
SPECIAL CONFIGURATION
 CHECK BASE MODEL AND OPTIONS

QUANTITY:

ITEM NO.

MODEL:
 1731 RIGHT HAND STEM
 1731-1 LEFT HAND STEM

OPTIONS OR MODIFICATIONS:
 SUPPLY LINES (24" OR 36") CIRCLE LENGTH
 HANDLES (CROSS OR WRIST) CIRCLE STYLE
 VANDAL RESISTANT KIT
 OTHER _____



FEATURES

- CONTROL VALVE
- * SINGLE DECK
 - * HOT AND COLD INDEX BUTTONS
 - * SWIVELLING SEAT DISKS
 - * STAINLESS STEEL SEATS
 - * STAINLESS STEEL SEAT SCREWS
 - * STAINLESS STEEL HANDLE SCREWS

- SYSTEM LIMITS
- * TEMP: 40°F MIN. TO 140°F MAX.
 - * PRESSURE: 200 PSI MAX. STATIC
 - * 2.2 GPM AT 60 PSI

- SHIPPING WEIGHT
- * 2.0 LBS

ROUGH-IN:

